

## Proteus Crawler

CRP90's compact size allows it to easily survey 100mm pipes. The motorised elevator enables the camera to be centred in pipes of up to 225mm diameter.

### ALL STANDARD FEATURES:

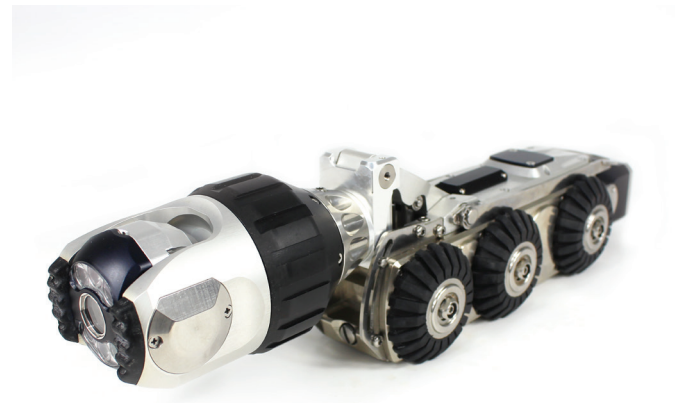
- Continuous monitoring of speed, internal pressure, inclination and temperature
- Dual Axis Inclination Sensor
- Single Auxiliary Light/Backeye Mounting
- Multi-Frequency Sonde 33kHz / 512Hz / 640Hz
- Steerable High Torque
- All-Wheel Drive
- Robust Housing
- 1 bar Pressure Tight
- Quick Change Wheel Lock
- In-Built Lowering Arm
- Heavy Duty Camera Connector
- Protective Front Connector Cap
- Protective Rear Connector Cap
- Lowering Rope
- Tools

### PLUS

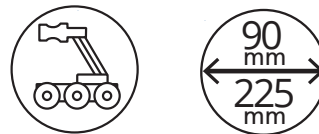
- 6x QRWX60SR 60mm Rubber Wheels
- Motorised Elevator - Range 40-77mm
- Articulate 'Knuckle' Connector

### OPTIONAL

- Carbide Wheels
- High Grip Wheels



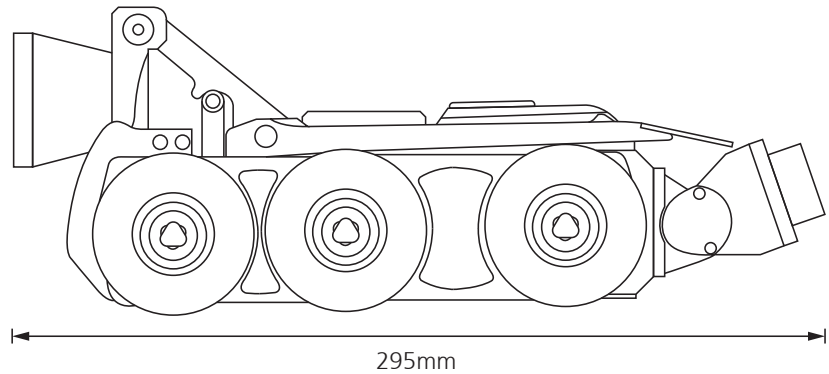
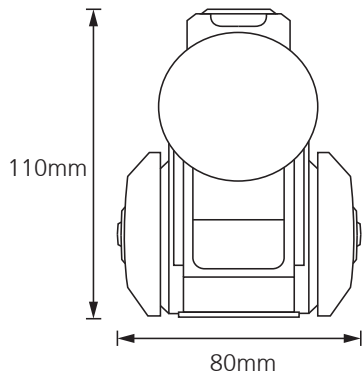
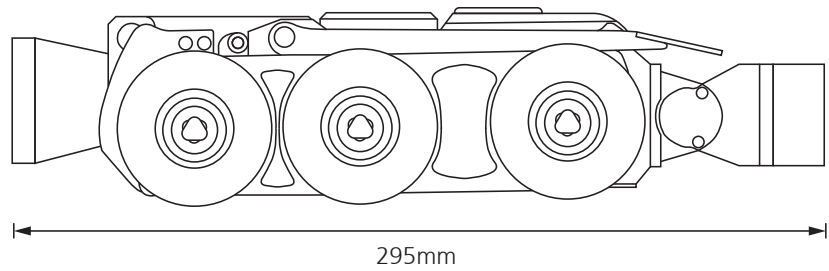
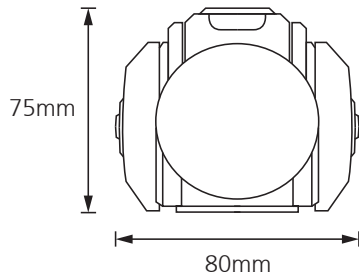
## Compatibility



## Technical Data

Pipe Sizes	90mm - 225mm
Weight	4.50kg

# Proteus Crawler



## Soft Black Rubber Wheels

Rich black, soft rubber tyres developed to provide improved traction in regular pipes.

Available in 4 sizes and Wide Axle. Other Performance Wheels available.

112021 © 2022 Minicam

